

Multi-Pole Mounts—G2

PV Solar Ground Mounting System
Seasonally Adjustable



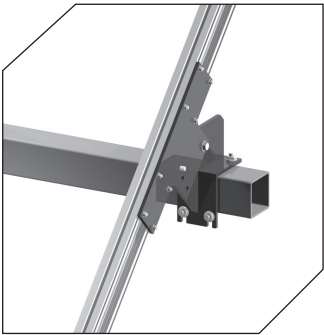
-  COMMUNICATIONS
-  ENERGY
-  SPECIAL INDUSTRIES
-  SOLAR

 **POWER-FAB**[®]
Quality Hardware for the PV Industry





Underside of multi-pole mount



POWER-FAB® Multi-Pole PV Mounting (MPM-G2) System

The POWER-FAB MPM-G2 is designed to install quickly and provide a secure mounting structure for PV modules on a single row of vertical pipe. The module specific design reduces the number of components and provides for an easier assembly. The MPM-G2 utilizes high strength welded steel components and corrosion resistant hardware for long term reliability. Seasonal adjustability for maximizing production is provided by nine positive locking tilt angle settings.

Maximum Strength – Durable Design

- Designs available to withstand up to 130 MPH wind zones
- MIG welded steel pipe caps and rail brackets with powder-coat, finish
- Stainless steel module mounting hardware
- 6000 series structural Aluminum mounting rails
- Stainless steel module clamps
- Stainless steel rack assembly hardware

Application Flexibility

- Several sizes available from 2 through 4 modules high in landscape orientation
- Structures designed for standard 3", 4" or 6" Schedule 40 or 80 vertical steel pipe and 4" x 4" square or 5" x 4" rectangular horizontal steel tube (Installer Supplied)
- Ideal for shade and carport structures
- Capable of significant ground clearance
- Adjustable elevation brackets available with 0°, 10°, 20°, 25°, 30°, 35°, 40°, 45° and 55° positive locking tilt angles.

Ease of Assembly – Reduced Labor Costs

- One row of vertical pipe reduces ground work
- Fast top-clamping module attachment
- Fewer ground penetrations than traditional ground mounts
- RAD™ Twist-In bolts that Lock-in-Place
- 0° Tilt setting to ease module installation
- WEEB grounding option

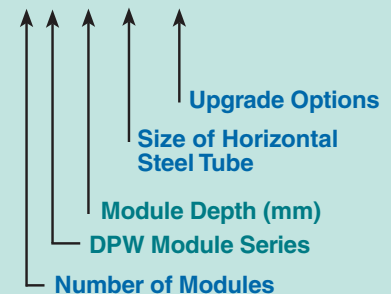
Key Benefits

- Maximum Strength
- Module Specific Design
- Ease of Assembly – Reduced Parts
- Single Row of Ground Penetrations
- Seasonal Elevation Adjustment



Ordering Guideline

MPM4-D-46-4x4-AA



Options / Upgrades

- Hot Dip Galvanized Finish on steel components
- Anodized or Powder Coated Finish on Module rails



Direct Power & Water Corporation
4000-B Vassar Drive NE
Albuquerque, New Mexico 87107
USA

Telephone: 800.260.3792
Fax: 505.889.3548
Web Site: www.DPWSolar.com
E-mail: info@power-fab.com

© 2012 Preformed Line Products
Printed in U.S.A.
SL-SS-1104-2
11.12.1M

*Foundation Design Support available
from DPW Solar's engineers.*