



Foam Jack™

Patent #6,360,491

Laboratory tested to
2,870 lbs.*
 (pullout)
2,615 lbs.*
 (axial side pull)

The patented design of the Fast Jack® is now available in an easy-to-foam version designed for use on commercial and metal rooftops! This industrial grade stanchion offers a full 2,870 lbs. of vertical strength using one 3/8" x 6" lag bolt!* It also offers an impressive 2,615 lbs. of axial (side) strength. Like the Commercial and Residential Fast Jack®, the primary connection to the roof is made directly under the point of load. (Pat. #6,360,491)

The Foam Jack™ base accepts one fastener up to 3/8" diameter. The post is available in a 1/2" thread version which fully integrates with commercially available steel strut using the optional Commercial Leveling Kit. The 3/8" threaded post version integrates with the Roof Trac® support rail.

6" High-1/2" Threaded Post

Part# FMJ-612L (Lag Bolt Version)

Part# FMJ-612T (Self tapping Screw Version)

For use with the 1/2" commercial leveling kit (sold separately)

6" High-3/8" Threaded Post

Part# FMJ-638L (Lag Bolt Version) *Picture Left*

Part# FMJ-638T (Self tapping Screw Version)

Use this version when setting the Roof Trac® support rail directly on the post.

Leveling kit

Part# CFJ-LEVEL

For use with the FMJ-612L & FMJ-612T in conjunction with standard outdoor rated strut to adjust for minor roof variances

Benefits of the Foam Jack™

- Patented design locates the lag bolt or self tapping screw directly under the removable post for superior strength
- Use of foam versus a flashing provides leak-free connections at a fraction of the cost of conventional flashings
- Precision machined from extruded aluminum and tumbled clean for proper foam adhesion
- Significantly lighter than steel for installer convenience and reduced shipping costs
- Cylinder base design allows for even distribution of foam around the stanchion

LEVELING OPTION

PART #FMJ-612L / #FMJ-612T

Like the best-selling Commercial Fast Jack®, the Foam Jack™ is available in a 1/2" thread version to accept the Commercial Leveling Kit.

Used for mounting:

- Solar Panels
- Communication Equipment
- Virtually anything needing structural attachment to a roof!

professional
SOLAR
 products inc.

(800) 84-SOLAR
 (805) 486-4700
 (805) 486-4799 - fax
 1551 S. Rose Ave.
 Oxnard, CA 93033

View more info on
 our website at:
www.prosolar.com

TYPICAL INSTALLATION SEQUENCE FOR FOAMING:

Step 1: Locate rafter/beam

Step 2: Use drill guide (sold separately) to drill a pilot hole.

Step 3: Install base using appropriate fastener

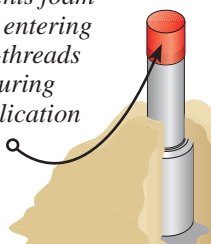
Step 4: Place red cap on post and securely attach to base

Step 5: Clean and prepare the roof surface then foam the stanchion

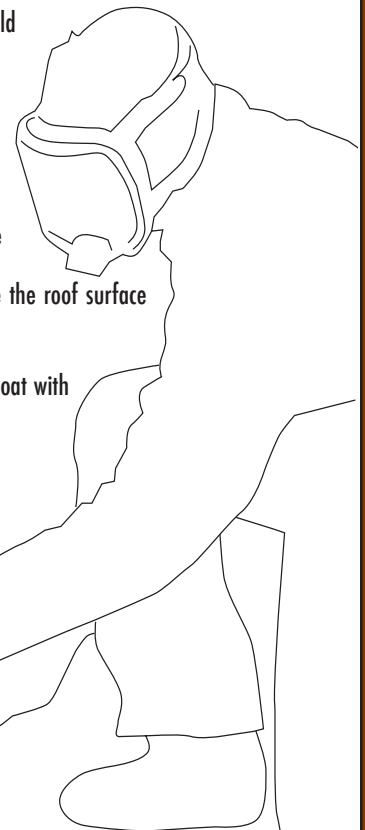
Step 6: When foam is dry, coat with UV paint

Step 7: Install your Rooftrac system!

Plastic cap (included) prevents foam from entering top-threads during application



Roof Foam



*Tested using a 3/8" x 6" Stainless Steel Lag bolt in a 4" x 6" Douglas Fir wood beam.

All artwork is ©2005 Professional Solar Products, Inc. Duplication of artwork unless otherwise authorized in writing by Professional Solar Products, Inc. is strictly prohibited.

Specifications

Test Data Available

Pull tested by an independent and accredited ICC approved testing laboratory to 2,870 lbs vertical and 2,615 axial (side) pull. Test conducted with a 3/8" x 6" lag bolt in a 4" x 6" Douglas Fir wood beam. Test report available upon purchase.

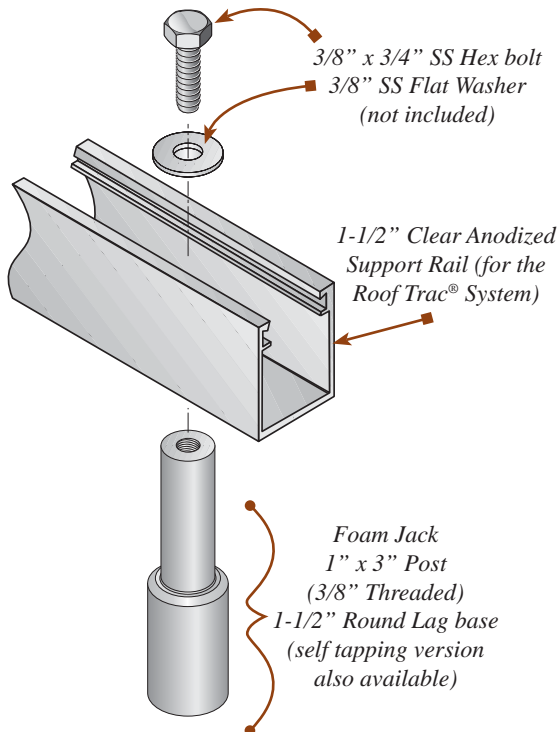
Measurements / Specifications

- BASE:** 1.5" dia. x 2.6" #6061 Aluminum
- 1/4" hole for self tapping-screw base
 - 3/8" hole for lag bolt base
- POSTS:** 1" dia. x 3" #6061 Aluminum
- 3/8" drilled & tapped (non-leveling version)
 - 1/2" threaded 2" deep (leveling version)

HARDWARE: Red Plastic caps included - installer to supply appropriate fasteners. Leveling kits are available upon request

- LEVELING KIT:** leveling kit components
- 1/2" x 4" Stainless Steel all-thread (qty. 1)
 - 1/2" Stainless Steel hex nuts (qty. 3)
 - 1/2" Stainless Steel flat washers (qty. 2)
 - 2" x 3" Anodized aluminum strut support (qty. 1)

INSTALLATION FOR NON-LEVELING VERSION EXPLODED VIEW



DRILL GUIDE

PART #FMJ-DRILL

Optional drill guide available with hardened drill guide bushing. Using the drill guide insures the installer will create a perfectly straight pilot hole into the rafter or structural member greatly enhancing strength.

INSTALLATION FOR LEVELING KIT VERSION - EXPLODED VIEW

