

MTS GROUND MOUNT

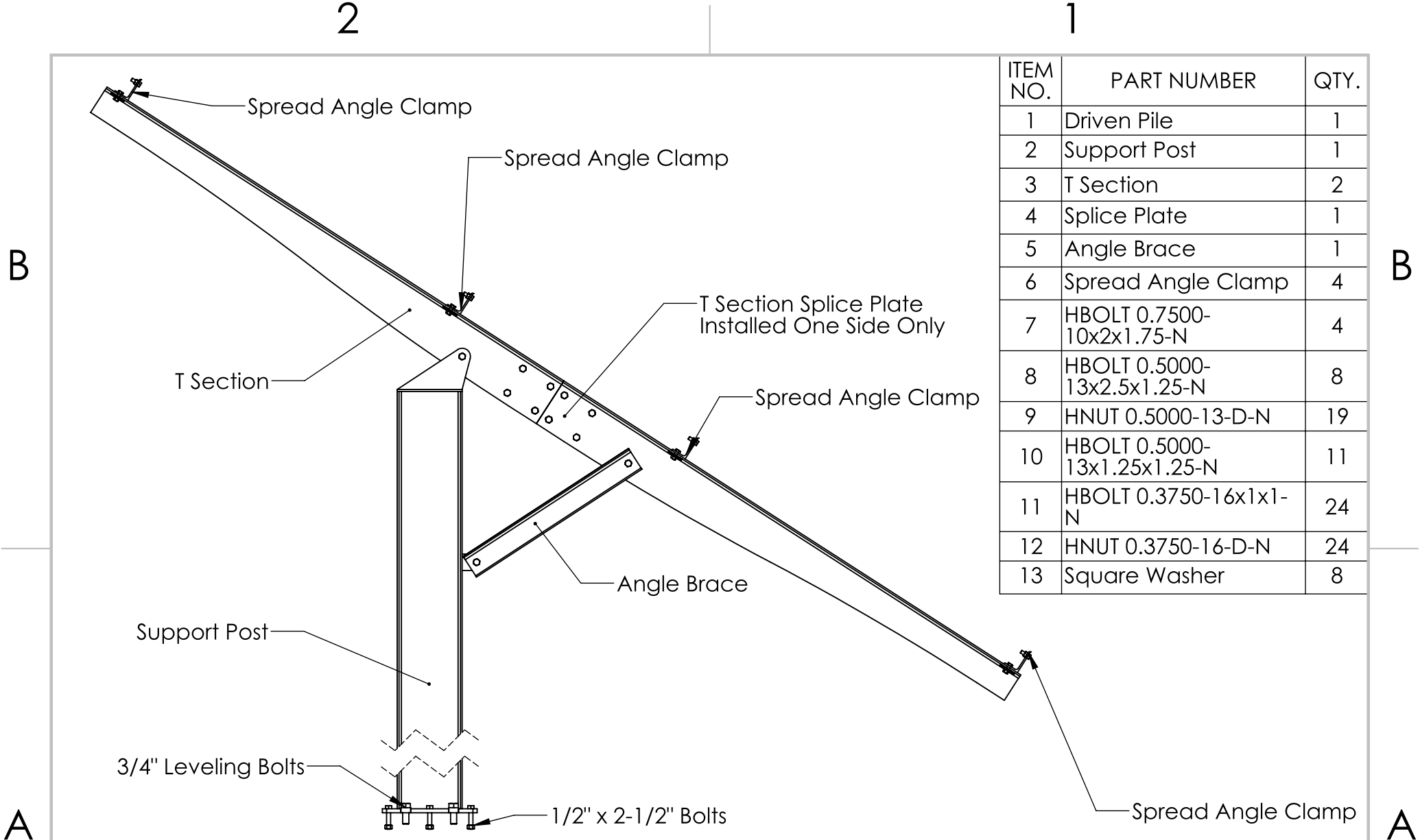


www.mtsolar.us

844-687-6527

sales@mtsolar.us



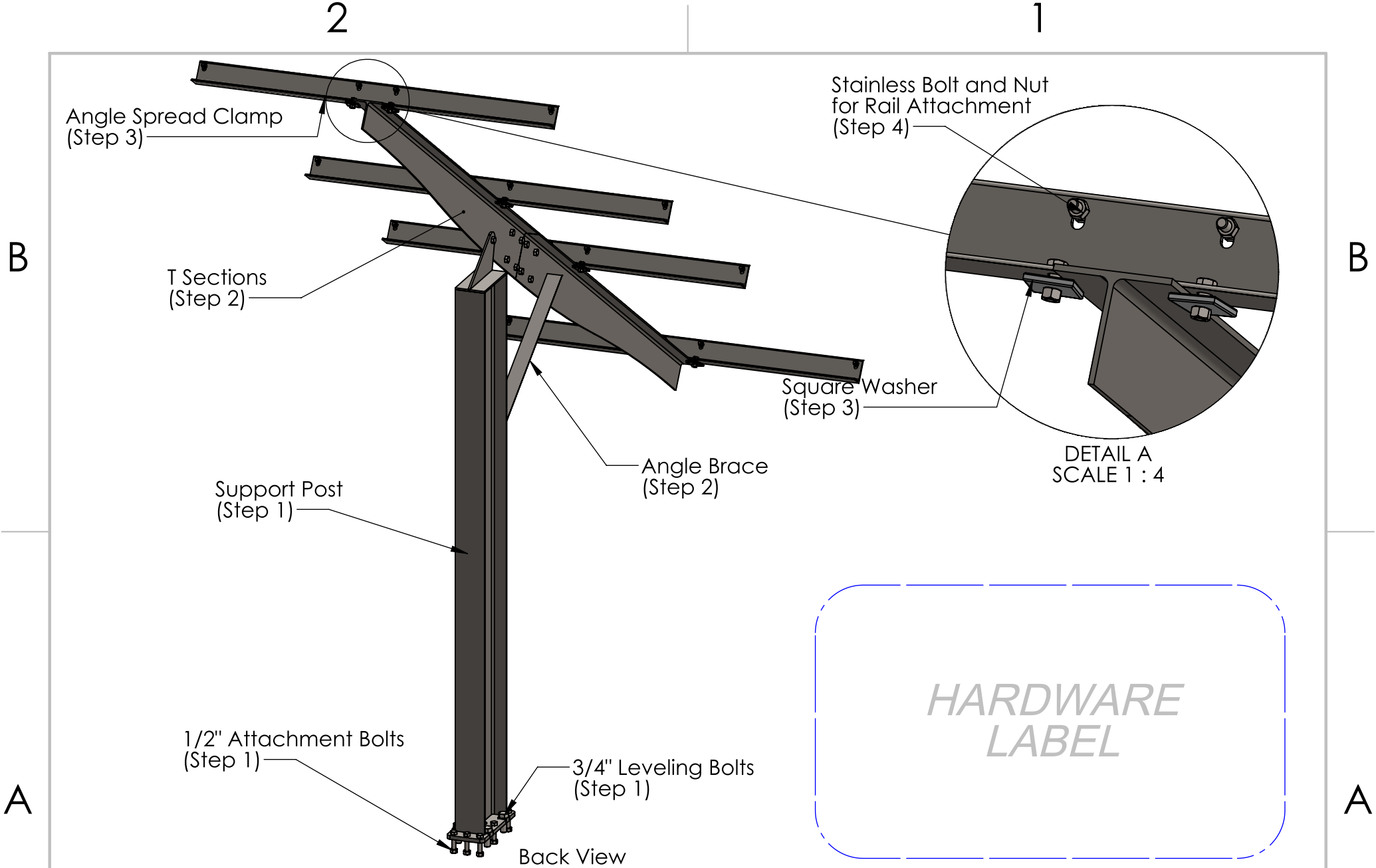


ITEM NO.	PART NUMBER	QTY.
1	Driven Pile	1
2	Support Post	1
3	T Section	2
4	Splice Plate	1
5	Angle Brace	1
6	Spread Angle Clamp	4
7	HBOLT 0.7500-10x2x1.75-N	4
8	HBOLT 0.5000-13x2.5x1.25-N	8
9	HNUT 0.5000-13-D-N	19
10	HBOLT 0.5000-13x1.25x1.25-N	11
11	HBOLT 0.3750-16x1x1-N	24
12	HNUT 0.3750-16-D-N	24
13	Square Washer	8



PROPRIETARY AND CONFIDENTIAL		NAME	DATE	TITLE:
THE INFORMATION CONTAINED IN THIS DRAWING IS THE SOLE PROPERTY OF MT SOLAR LLC. ANY REPRODUCTION IN PART OR AS A WHOLE WITHOUT THE WRITTEN PERMISSION OF MT SOLAR LLC IS PROHIBITED.		DRAWN		SIZE
		CHECKED		A
		ENG APPR.		DWG. NO.
		MFG APPR.		REV

TITLE:		SCALE: 1:16	
Ground Mount Install Diagram		SHEET 1 OF 2	



*HARDWARE
LABEL*



PROPRIETARY AND CONFIDENTIAL THE INFORMATION CONTAINED IN THIS DRAWING IS THE SOLE PROPERTY OF MT SOLAR LLC. ANY REPRODUCTION IN PART OR AS A WHOLE WITHOUT THE WRITTEN PERMISSION OF MT SOLAR LLC IS PROHIBITED.	DRAWN	NAME	DATE	TITLE:		
	CHECKED			SIZE	DWG. NO.	REV
	ENG APPR.			A	Ground Mount Install Diagram	
	MFG APPR.					
					SCALE: 1:16	SHEET 2 OF 2

