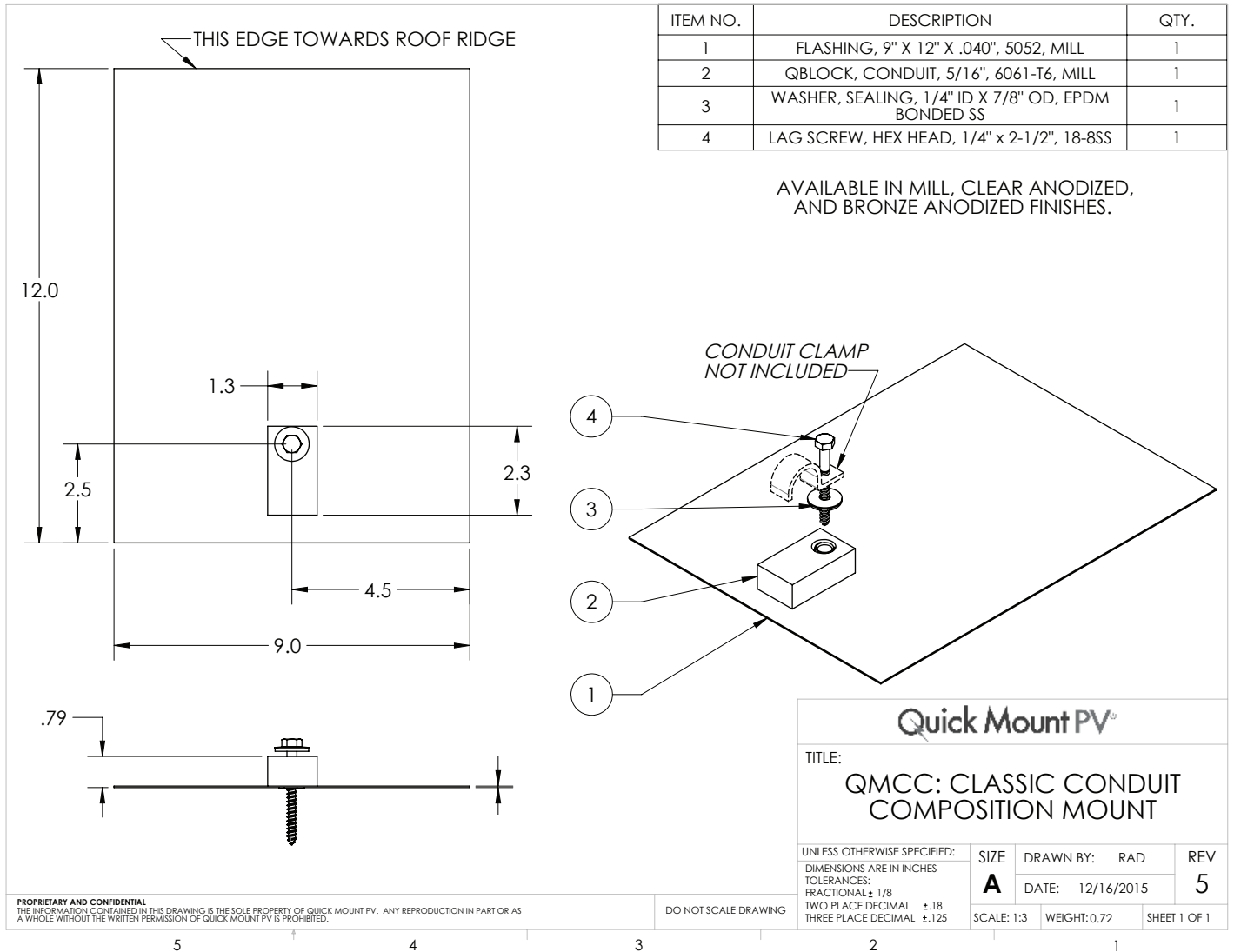


Classic Conduit Composition Mount | QMCC



Lag pull-out (withdrawal) design values (lbs) in typical sheathing:

	Lag Bolt Specifications		
	Specific Gravity	1/4" shaft per 1/2" thread depth	1/4" shaft per 1" thread depth
Plywood	.45	72	144
OSB	.45	72	144

Sources: APA - The Engineered Wood Association, TT-051C, 2011

Note: Lag pull-out (withdrawal) ultimate capacity = 350 lbs. in 1/2" plywood or 1/2" OSB.

IMPORTANT: To maintain waterproofing it is important that the aluminum flashing (item 1) is properly placed under one full course above the mounting block with at least some of the flashing extending up under the course above that as well. See instructions on back.



Classic Conduit Mounting Instructions

Installation Tools Required: tape measure, roofing bar, chalk line, stud finder, caulking gun, 1 tube of appropriate sealant, drill with 1/8" bit, drill or impact gun with 7/16" deep socket.

WARNING: Quick Mount PV products are NOT designed for and should NOT be used to anchor fall protection equipment.



1 Choose placement of conduit mounts along path of conduit.



2 Lift composition roof shingle with roofing bar, just above placement of conduit mount.



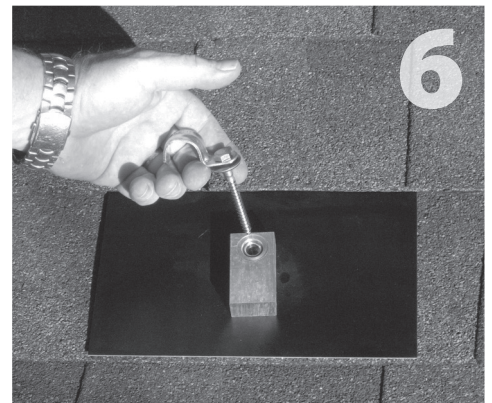
3 Slide conduit mount into desired position. Remove any nails that conflict with getting the mount flush with front edge of shingle course. Mark center for drilling.



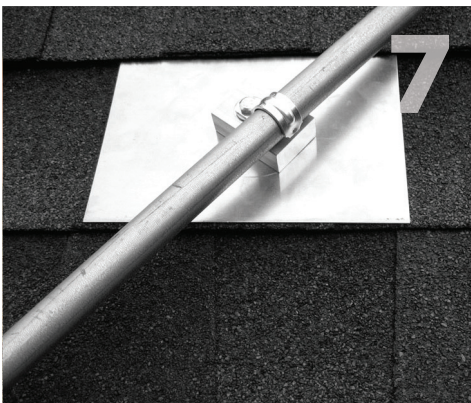
4 Using drill with 1/8" long bit, drill pilot hole into roof, taking care to drill square to the roof.



5 Clean off any sawdust, and fill hole with roof manufacturer's approved sealant.



6 Lift shingle and slide conduit mount into place. Prepare lag bolt with sealing washer and single hole clamp (not included) as shown.



7 Insert lag through hole in block, and position clamp over conduit. Using drill with 7/16" socket, drive lag until block is tight.

All roofing manufacturers' written instructions must also be followed by anyone modifying a roof system. Please consult the roof manufacturer's specs and instructions prior to touching the roof.

Quick Mount PV[®]

925-478-8269 | www.quickmountpv.com | info@quickmountpv.com

2700 Mitchell Dr. | Walnut Creek, CA 94598