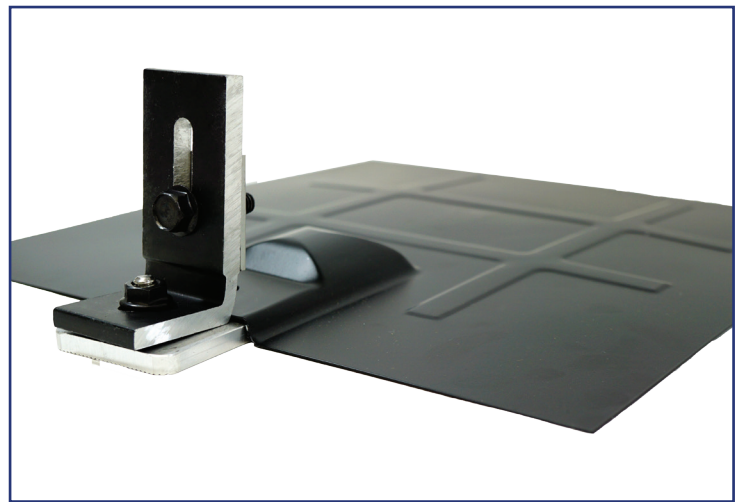


Series 100 Flashed L Foot Kit

SnapNrack Series 100 Flashed L Foot Kit is an innovative solution to provide a long lasting, watertight seal over the life of the system. The Flashed L Foot provides a fully flashed roof fastener for attachment to composition roof with no required cutting of shingles. The L Foot is engineered for maximum adjustability for a clean, level installation.

- Slotted attachment provides 1" vertical adjustability for array leveling
- 1" spacers available for increased elevation adjustability
- Clear or black anodized aluminum components. Both are available with black galvanized steel or aluminum flashing.
- No cutting of shingles



Features Include



Snap in
Hardware



Single Tool
Installation



Easy
Leveling



No Cutting
or Drilling



Preassembled
hardware

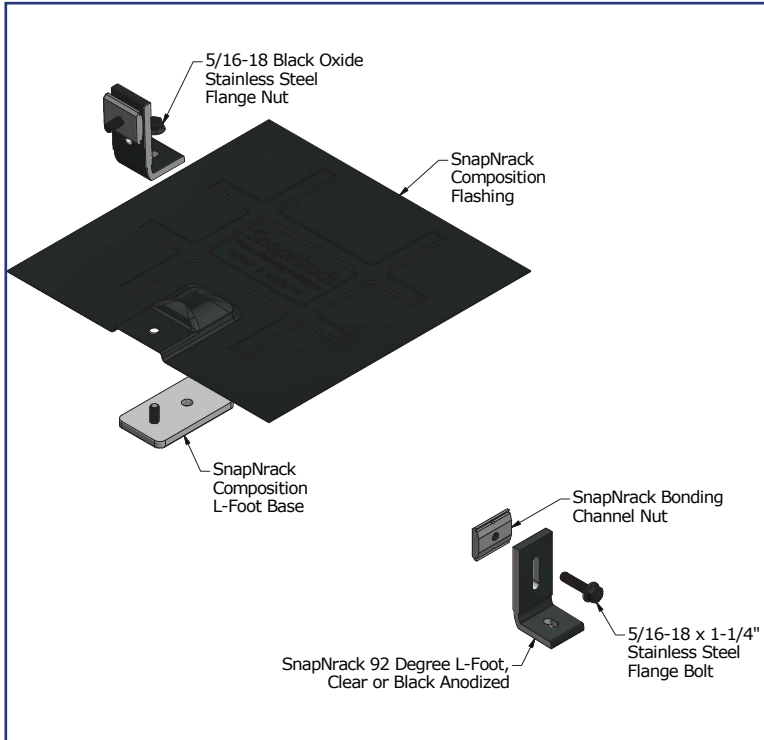


Integrated bonding

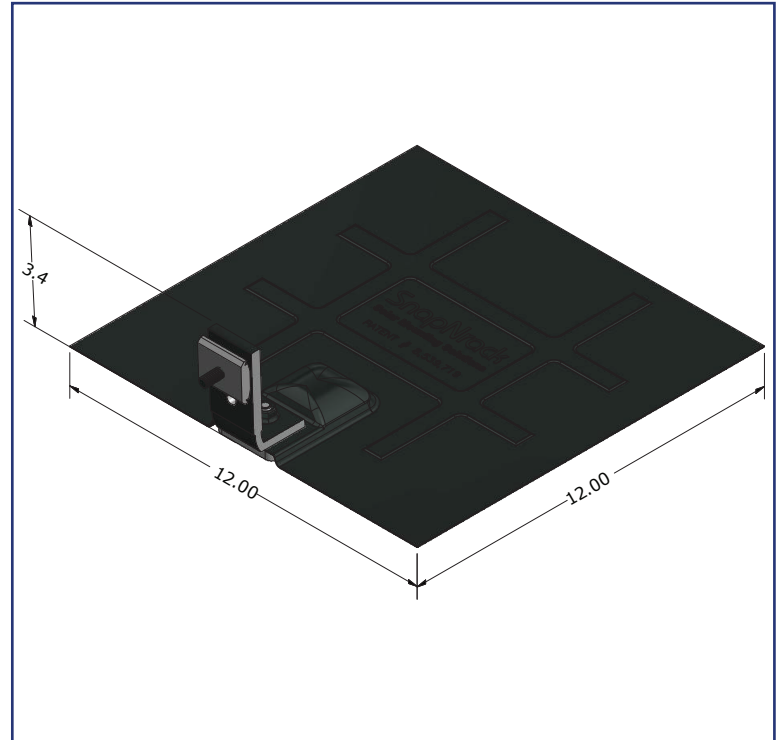


UL 2703 Certified

Flashed L Foot Kit Assembly



Flashed L Foot Kit Dimensions



FLASHED L FOOT KIT TECHNICAL DATA

Materials

- 6000 Series aluminum L foot & base
- Stainless steel hardware
- Galvanized steel or aluminum flashing w/ black all weather coating

Material Finish

Clear and black anodized aluminum

Weight

1.3 lbs

Design Uplift Load

350 lbs uplift

Design Ultimate Load

1,000 lbs uplift

Warranty

10 year limited product warranty; 5 year limited finish warranty