

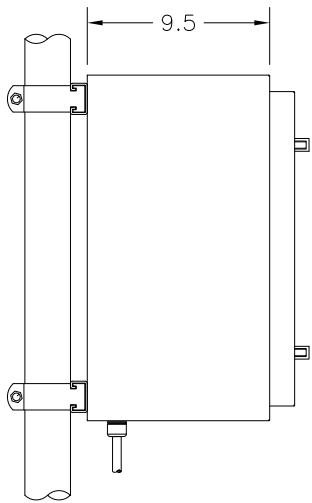
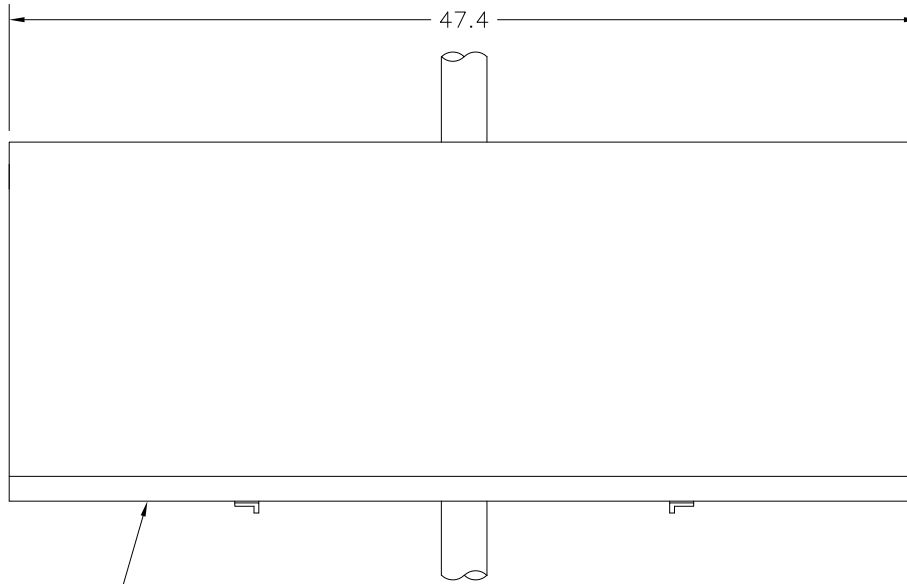
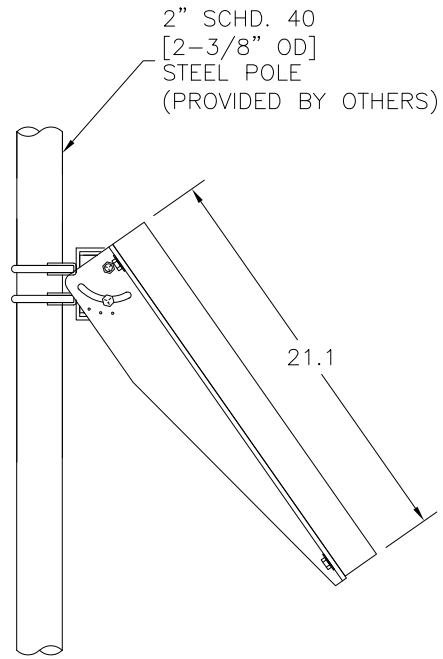
- NOTES:
1. CONNECTIONS TO ARRAY TO BE COMPLETED IN THE FIELD.
  2. CONNECTIONS TO BATTERIES TO BE COMPLETED IN THE FIELD.
  3. BATTERIES TO BE INSTALLED IN THE FIELD.
  4. UNLESS OTHERWISE SPECIFIED, WIRING TO BE #12 RED POSITIVE (+), BLACK NEGATIVE (-), GREEN GROUND (⊕).
  5. GROUND POINT ESTABLISHED BY CUSTOMER.



OWNERSHIP

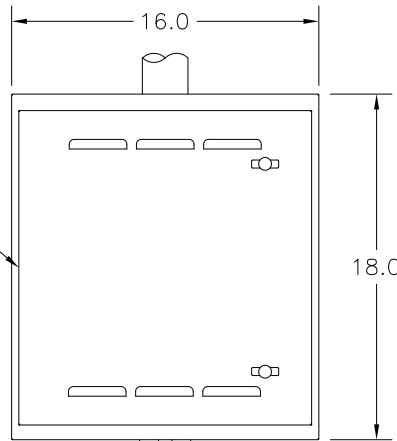
COPYRIGHT ©2021 THE ABOVE DRAWINGS, SPECIFICATIONS, IDEAS, DESIGNS, AND ARRANGEMENTS ARE AND SHALL REMAIN THE PROPERTY OF SOLAR ELECTRIC SUPPLY AND NO PART THEREOF SHALL BE COPIED, DISCLOSED TO OTHERS, OR USED IN CONNECTION WITH ANY WORK OR PROJECT OTHER THAN THE SPECIFIED PROJECT FOR WHICH THEY HAVE BEEN PREPARED AND DEVELOPED WITHOUT THE WRITTEN CONSENT OF SOLAR ELECTRIC SUPPLY. VISUAL CONTACT WITH THESE PLANS OR SPECIFICATIONS SHALL CONSTITUTE CONCLUSIVE EVIDENCE OF ACCEPTANCE OF THESE RESTRICTIONS.

WIRING DIAGRAM		MAPP5 90-108-12-24	
UNITS			
UNLESS OTHERWISE SPECIFIED: PRIMARY UNITS ARE: INCHES SECONDARY UNITS ARE: [mm]			
REVISIONS			
REV	REVISED BY	DATE	
MISC			
APPROVALS		NAME	
DRAWN		E. RIVAS	
APPROVED		DATE	
		05.APR.21	
DRAWING NUMBER		SD50-0562-SES	
B.O.M. NUMBER		SB50-0562	
SCALE		SIZE	
N/A		A	
SHEET 1		OF 3	



90J-V  
SOLAR MODULE

BATTERY AND CONTROL  
ENCLOSURE



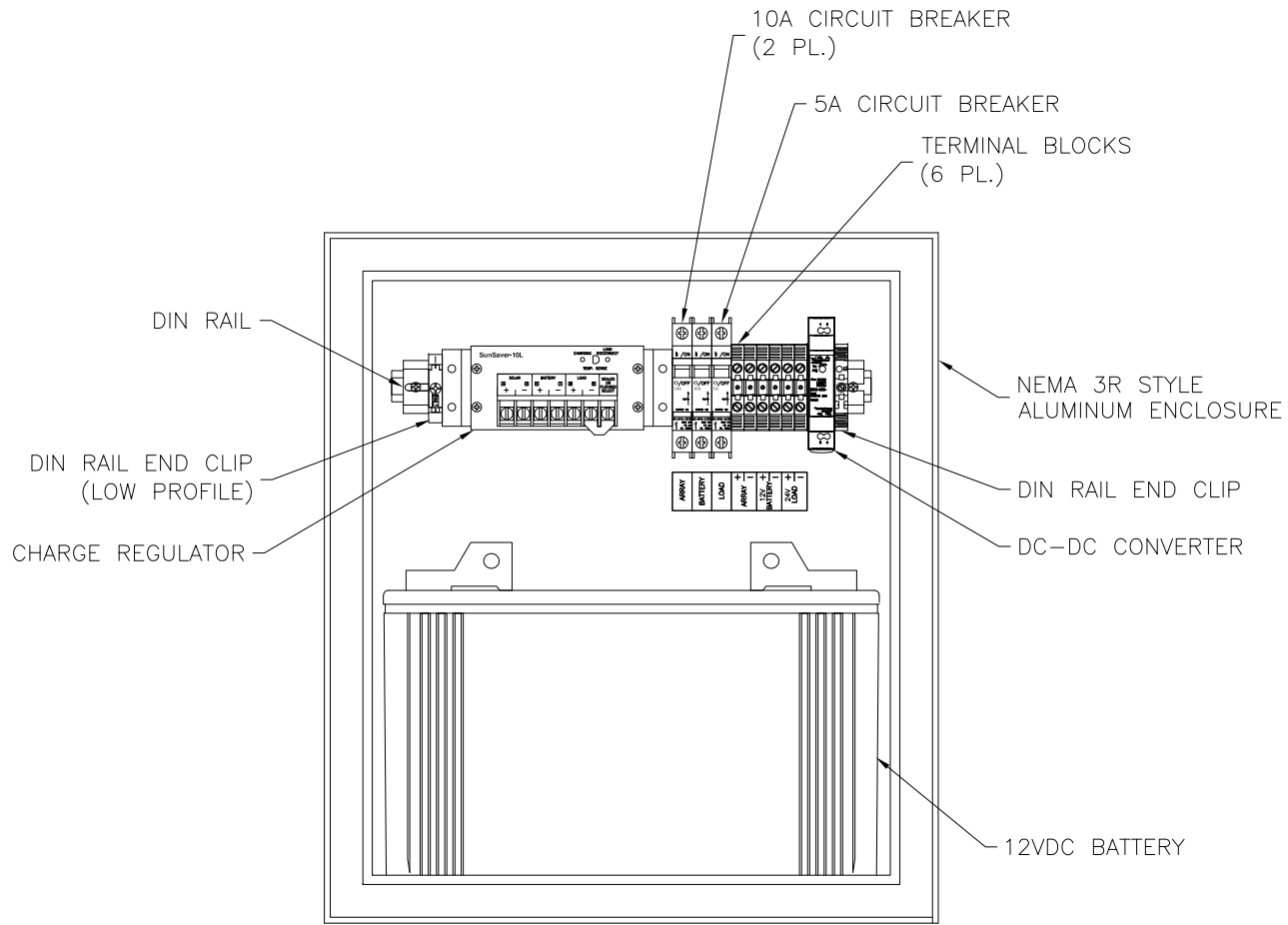
TO ARRAY      LOAD WIRING SIZED AND PROVIDED BY OTHERS



OWNERSHIP

COPYRIGHT ©2021 THE ABOVE DRAWINGS, SPECIFICATIONS, IDEAS, DESIGNS, AND ARRANGEMENTS ARE AND SHALL REMAIN THE PROPERTY OF SOLAR ELECTRIC SUPPLY AND NO PART THEREOF SHALL BE COPIED, DISCLOSED TO OTHERS, OR USED IN CONNECTION WITH ANY WORK OR PROJECT OTHER THAN THE SPECIFIED PROJECT FOR WHICH THEY HAVE BEEN PREPARED AND DEVELOPED WITHOUT THE WRITTEN CONSENT OF SOLAR ELECTRIC SUPPLY. VISUAL CONTACT WITH THESE PLANS OR SPECIFICATIONS SHALL CONSTITUTE CONCLUSIVE EVIDENCE OF ACCEPTANCE OF THESE RESTRICTIONS.

SITE LAYOUT		MAPPS 90-108-12-24	
UNITS		UNLESS OTHERWISE SPECIFIED: PRIMARY UNITS ARE: INCHES SECONDARY UNITS ARE: [mm]	
REVISIONS		APPROVALS	
REV	REVISED BY	DATE	NAME
		05.APR.21	E. RIVAS
MISC		APPROVED	
SCALE	DRAWING NUMBER	SIZE	
N/A	SD50-0562-SES	A	
	B.O.M. NUMBER		
	SB50-0562		
SHEET 2 OF 3			



1. ENCLOSURE DOOR NOT SHOWN FOR CLARITY.  
NOTES:



OWNERSHIP

COPYRIGHT ©2021 THE ABOVE DRAWINGS, SPECIFICATIONS, IDEAS, DESIGNS, AND ARRANGEMENTS ARE AND SHALL REMAIN THE PROPERTY OF SOLAR ELECTRIC SUPPLY AND NO PART THEREOF SHALL BE COPIED, DISCLOSED TO OTHERS, OR USED IN CONNECTION WITH ANY WORK OR PROJECT OTHER THAN THE SPECIFIED PROJECT FOR WHICH THEY HAVE BEEN PREPARED AND DEVELOPED WITHOUT THE WRITTEN CONSENT OF SOLAR ELECTRIC SUPPLY. VISUAL CONTACT WITH THESE PLANS OR SPECIFICATIONS SHALL CONSTITUTE CONCLUSIVE EVIDENCE OF ACCEPTANCE OF THESE RESTRICTIONS.

ENCLOSURE LAYOUT		MAPPS 90-108-12-24	
UNLESS OTHERWISE SPECIFIED: PRIMARY UNITS ARE: INCHES SECONDARY UNITS ARE: [mm]			
REVISIONS			
REV	REVISED BY	DATE	
MISC			
DRAWING NUMBER		SD50-0562-SES	
B.O.M. NUMBER		SB50-0562	
SHEET 3 of 3		SCALE N/A	
APPROVALS NAME		DATE	
DRAWN E. RIVAS		05.APR.21	
APPROVED		-	
SIZE		A	