

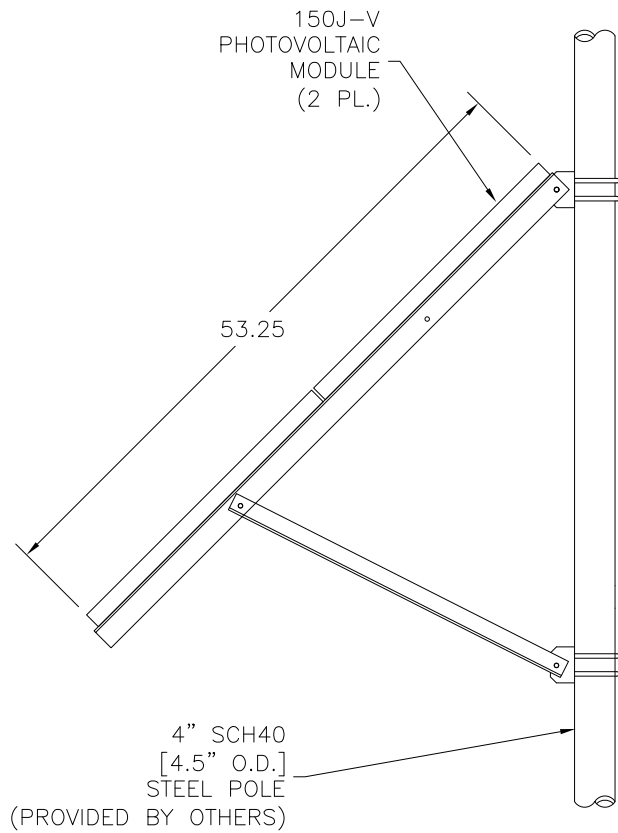
- NOTES:
1. CONNECTIONS TO ARRAY TO BE COMPLETED IN THE FIELD.
 2. CONNECTIONS TO BATTERIES TO BE COMPLETED IN THE FIELD.
 3. BATTERIES TO BE INSTALLED IN THE FIELD.
 4. UNLESS OTHERWISE SPECIFIED, WIRING TO BE #10 RED POSITIVE (+), BLACK NEGATIVE (-), GREEN GROUND (G).
 5. GROUND POINT ESTABLISHED BY CUSTOMER.



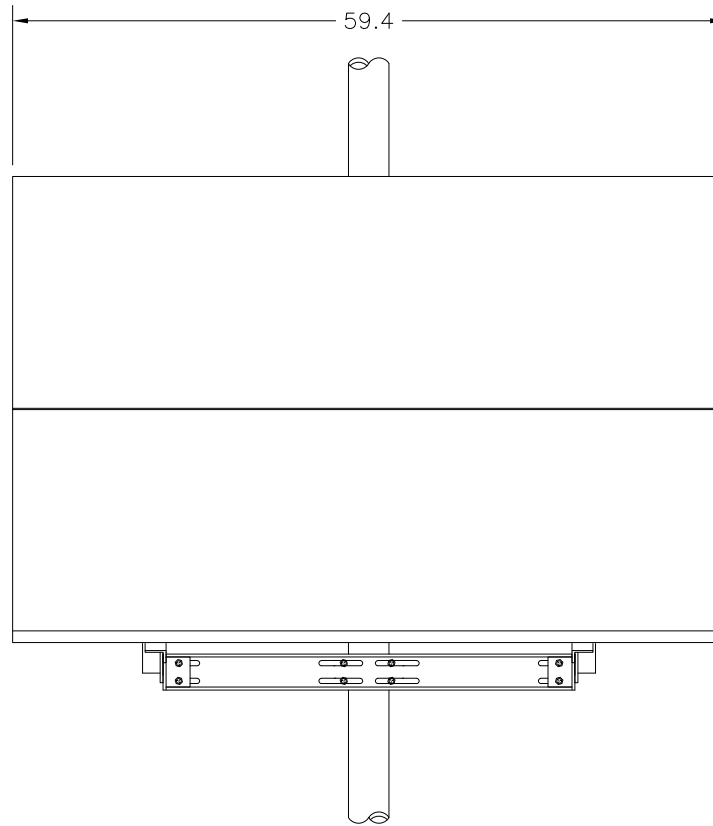
OWNERSHIP

COPYRIGHT ©2022 THE ABOVE DRAWINGS, SPECIFICATIONS, IDEAS, DESIGNS, AND ARRANGEMENTS ARE AND SHALL REMAIN THE PROPERTY OF SOLAR ELECTRIC SUPPLY AND NO PART THEREOF SHALL BE COPIED, DISCLOSED TO OTHERS, OR USED IN CONNECTION WITH ANY WORK OR PROJECT OTHER THAN THE SPECIFIED PROJECT FOR WHICH THEY HAVE BEEN PREPARED AND DEVELOPED WITHOUT THE WRITTEN CONSENT OF SOLAR ELECTRIC SUPPLY. VISUAL CONTACT WITH THESE PLANS OR SPECIFICATIONS SHALL CONSTITUTE CONCLUSIVE EVIDENCE OF ACCEPTANCE OF THESE RESTRICTIONS.

WIRING DIAGRAM		DATE	
MAPPS 300-530-12 W/CHARGER		24.FEB.22	
UNITS			
<small>UNLESS OTHERWISE SPECIFIED: PRIMARY UNITS ARE: INCHES SECONDARY UNITS ARE: [mm]</small>			
REVISIONS			
REV	REVISED BY	DATE	
MISC			
APPROVALS		NAME	
DRAWN		E. RIVAS	
APPROVED			
DRAWING NUMBER		SIZE	
SD50-0592-SES		A	
B.O.M. NUMBER			
SB50-0592			
SCALE		SHEET	
N/A		1 OF 4	



SIDE VIEW



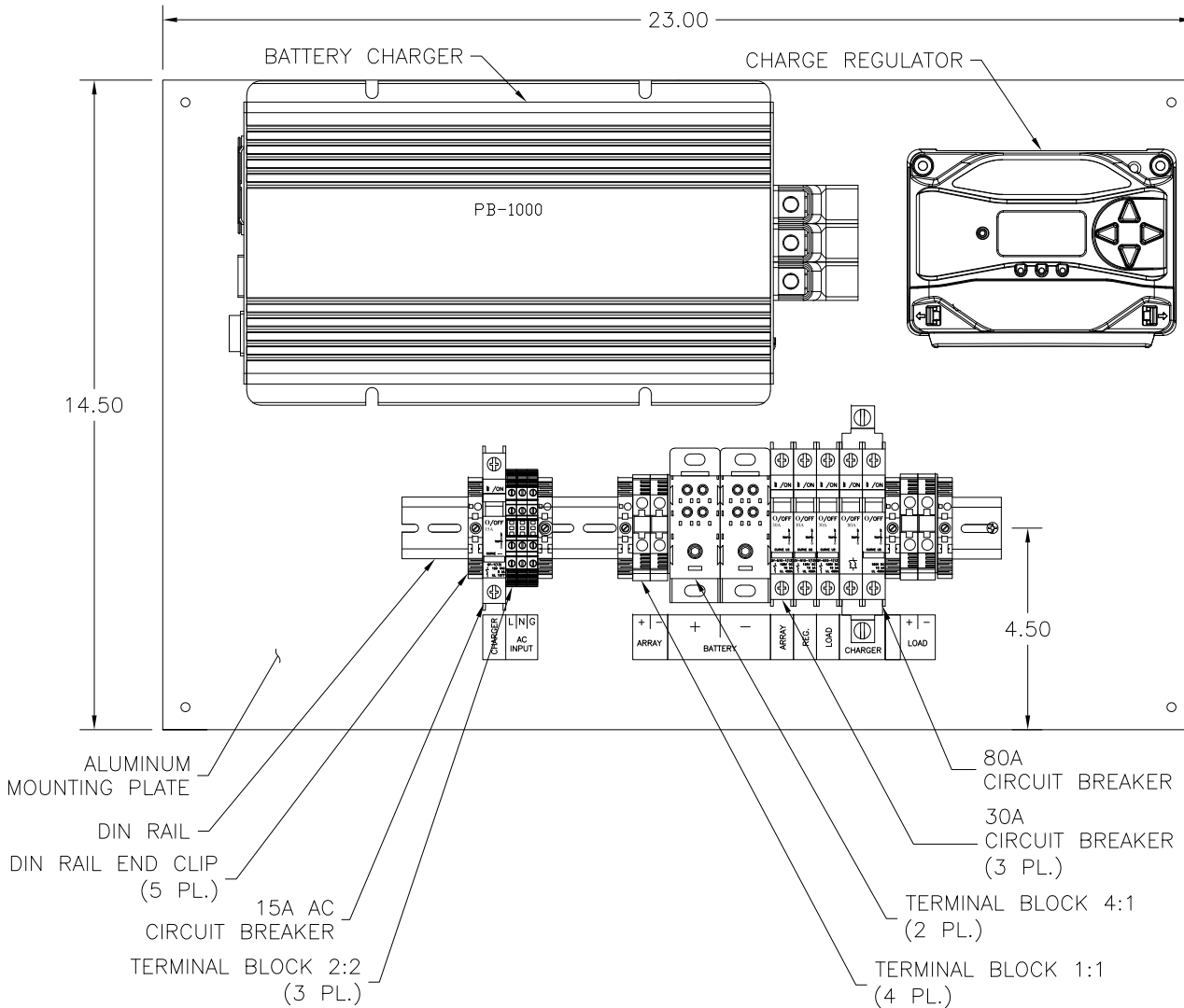
FRONT VIEW



OWNERSHIP

COPYRIGHT ©2022 THE ABOVE DRAWINGS, SPECIFICATIONS, IDEAS, DESIGNS, AND ARRANGEMENTS ARE AND SHALL REMAIN THE PROPERTY OF SOLAR ELECTRIC SUPPLY AND NO PART THEREOF SHALL BE COPIED, DISCLOSED TO OTHERS, OR USED IN CONNECTION WITH ANY WORK OR PROJECT OTHER THAN THE SPECIFIED PROJECT FOR WHICH THEY HAVE BEEN PREPARED AND DEVELOPED WITHOUT THE WRITTEN CONSENT OF SOLAR ELECTRIC SUPPLY. VISUAL CONTACT WITH THESE PLANS OR SPECIFICATIONS SHALL CONSTITUTE CONCLUSIVE EVIDENCE OF ACCEPTANCE OF THESE RESTRICTIONS.

ARRAY LAYOUT		DATE	
MAPPS 300-530-12 W/CHARGER		24.FEB.22	
UNITS			
UNLESS OTHERWISE SPECIFIED: PRIMARY UNITS ARE: INCHES SECONDARY UNITS ARE: [mm]			
REVISIONS			
REV	REVISED BY	DATE	
MISC			
DRAWING NUMBER		SIZE	
SD50-0592-SES		A	
B.O.M. NUMBER			
SB50-0592			
SCALE		SHEET 2 OF 4	
N/A			
APPROVALS NAME		APPROVED	
DRAWN E. RIVAS			



OWNERSHIP

COPYRIGHT ©2022 THE ABOVE DRAWINGS, SPECIFICATIONS, IDEAS, DESIGNS, AND ARRANGEMENTS ARE AND SHALL REMAIN THE PROPERTY OF SOLAR ELECTRIC SUPPLY AND NO PART THEREOF SHALL BE COPIED, DISCLOSED TO OTHERS, OR USED IN CONNECTION WITH ANY WORK OR PROJECT OTHER THAN THE SPECIFIED PROJECT FOR WHICH THEY HAVE BEEN PREPARED AND DEVELOPED WITHOUT THE WRITTEN CONSENT OF SOLAR ELECTRIC SUPPLY. VISUAL CONTACT WITH THESE PLANS OR SPECIFICATIONS SHALL CONSTITUTE CONCLUSIVE EVIDENCE OF ACCEPTANCE OF THESE RESTRICTIONS.

CONTROL LAYOUT

MAPPS 300-530-12
W/CHARGER

UNITS

UNLESS OTHERWISE SPECIFIED:
PRIMARY UNITS ARE: INCHES
SECONDARY UNITS ARE: [mm]

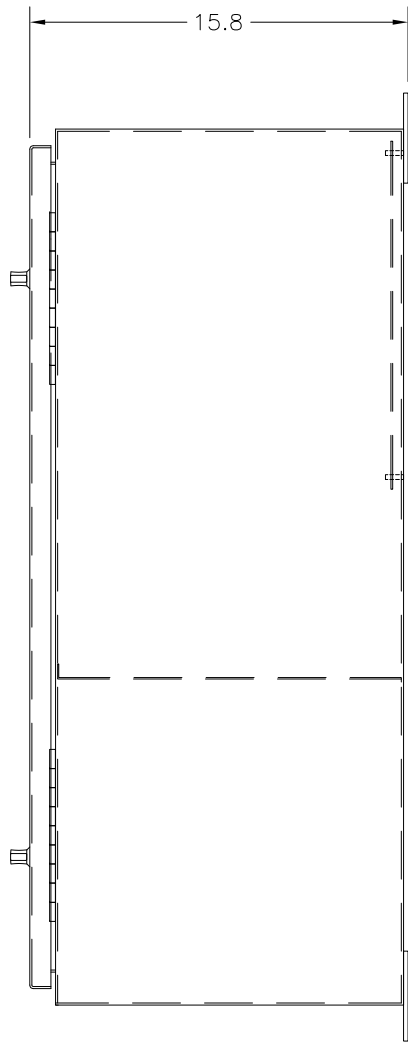
REVISIONS

REV	REVISED BY	DATE

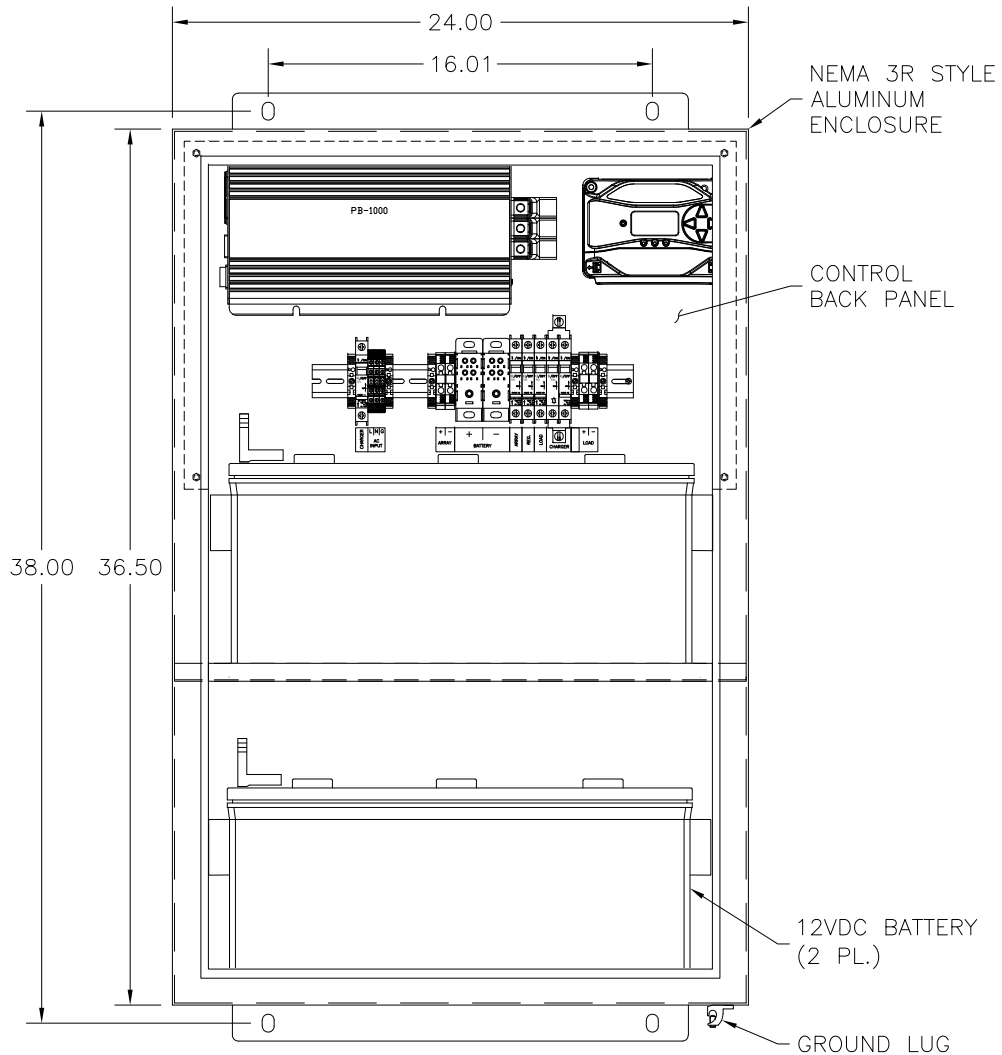
MISC

SCALE	N/A	DRAWING NUMBER	SD50-0592-SES	SIZE	A
		B.O.M. NUMBER	SB50-0592		
		SHEET	3		of 4

APPROVALS	NAME	DATE
	DRAWN E. RIVAS	24.FEB.22
	APPROVED	—



SIDE VIEW



FRONT VIEW
(DOOR REMOVED)



OWNERSHIP

COPYRIGHT ©2022 THE ABOVE DRAWINGS, SPECIFICATIONS, IDEAS, DESIGNS, AND ARRANGEMENTS ARE AND SHALL REMAIN THE PROPERTY OF SOLAR ELECTRIC SUPPLY AND NO PART THEREOF SHALL BE COPIED, DISCLOSED TO OTHERS, OR USED IN CONNECTION WITH ANY WORK OR PROJECT OTHER THAN THE SPECIFIED PROJECT FOR WHICH THEY HAVE BEEN PREPARED AND DEVELOPED WITHOUT THE WRITTEN CONSENT OF SOLAR ELECTRIC SUPPLY. VISUAL CONTACT WITH THESE PLANS OR SPECIFICATIONS SHALL CONSTITUTE CONCLUSIVE EVIDENCE OF ACCEPTANCE OF THESE RESTRICTIONS.

ENCLOSURE LAYOUT
MAPPS 300-530-12
W/CHARGER

UNITS

UNLESS OTHERWISE SPECIFIED:
PRIMARY UNITS ARE: INCHES
SECONDARY UNITS ARE: [mm]

REVISIONS

REV	REVISED BY	DATE

MISC

SCALE	DRAWING NUMBER	SIZE
N/A	SD50-0592-SES	A
	B.O.M. NUMBER	
	SB50-0592	
	SHEET 4 OF 4	

APPROVALS	NAME	DATE
	DRAWN E. RIVAS	24.FEB.22
	APPROVED	