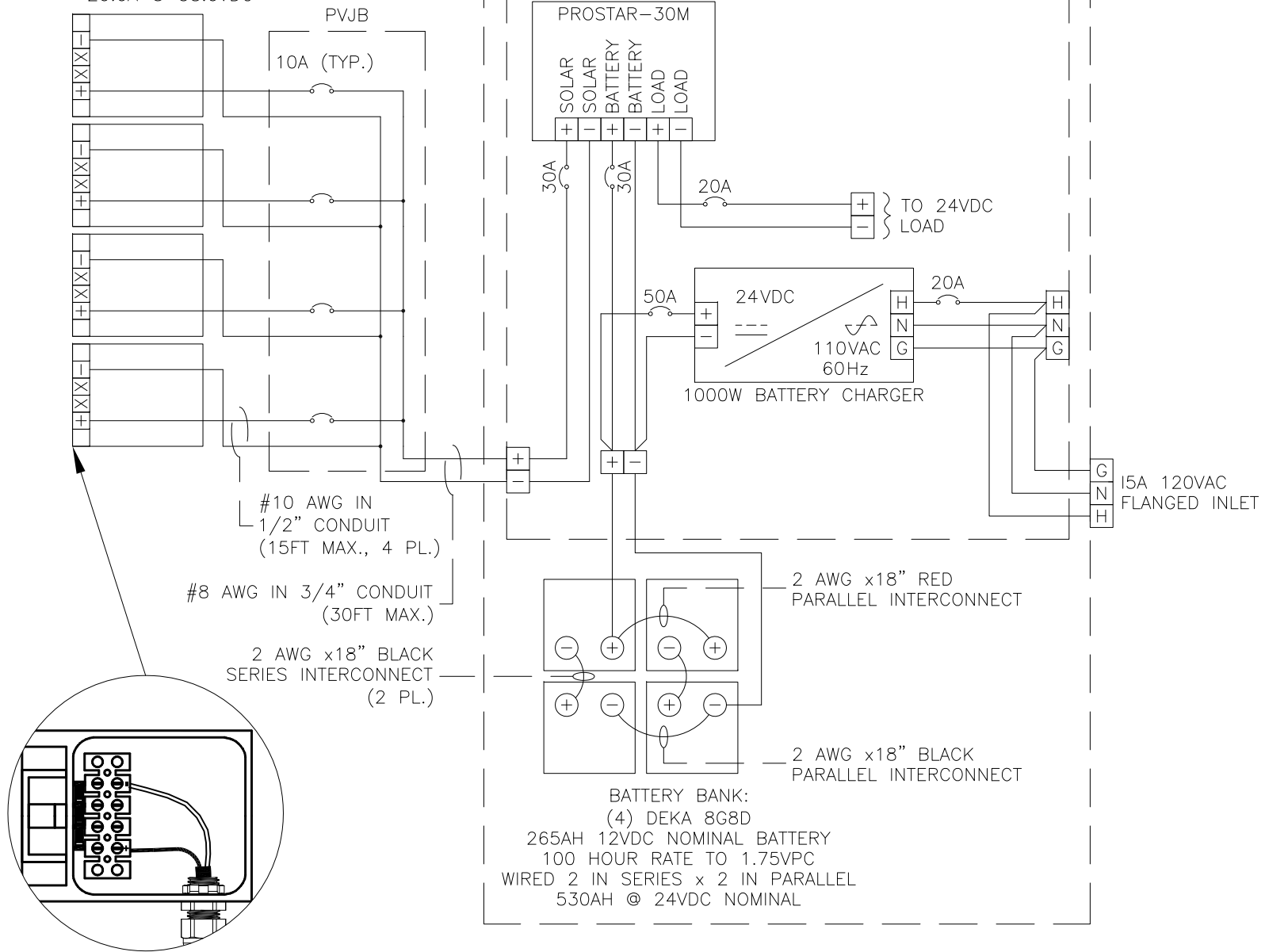


SOLAR ARRAY: 760W
 (4) 190J PHOTOVOLTAIC
 MODULES WIRED IN PARALLEL
 20.0A @ 38.0VDC



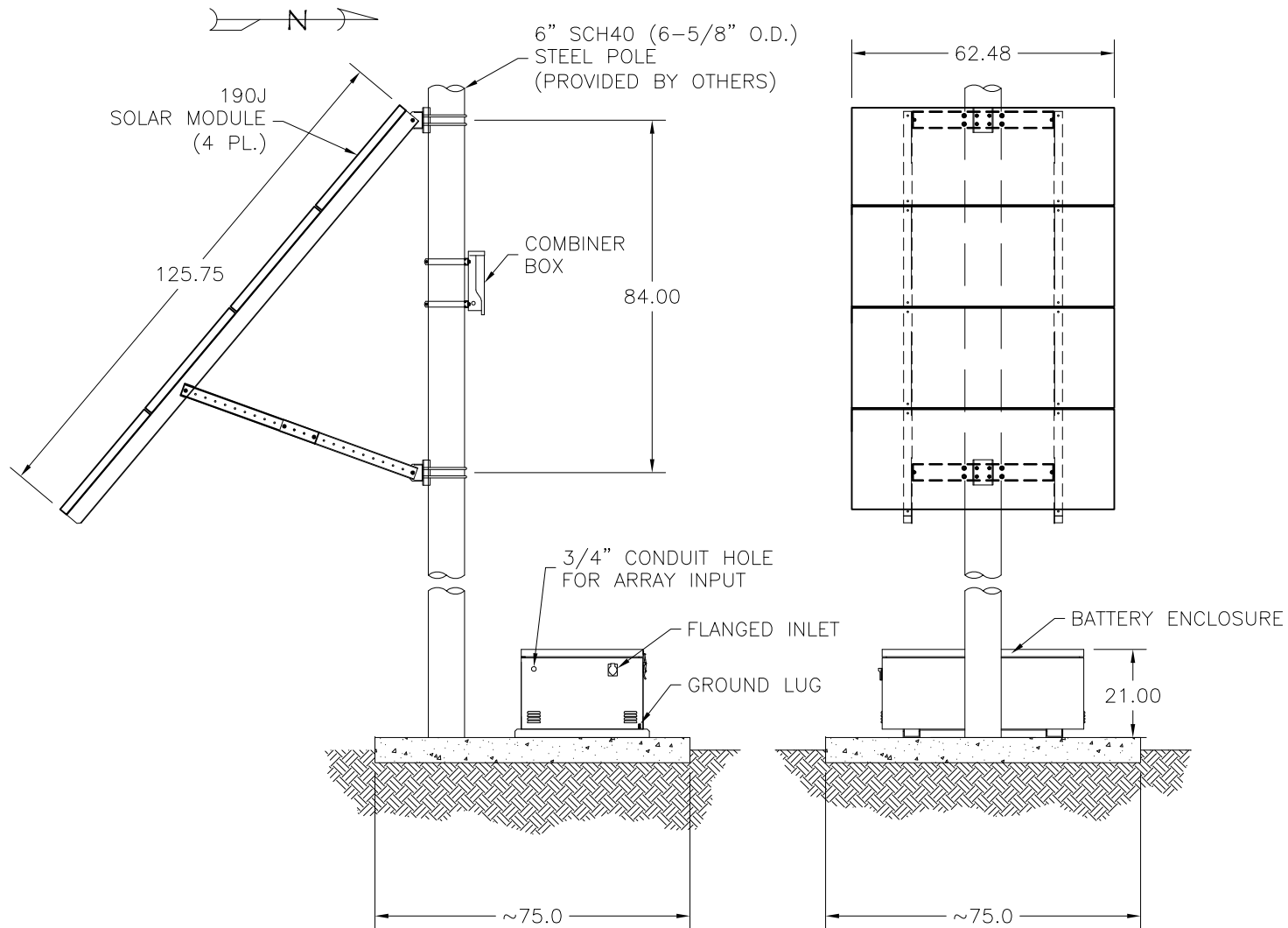
2. ALL AC WIRES ARE #12AWG, BLACK: LINE, WHITE: NEUTRAL, GREEN: GROUND (⊕).
 1. ALL DC WIRES ARE #8AWG, RED: POSITIVE (+), BLACK: NEGATIVE (-), GREEN: GROUND (⊕).
- NOTES: UNLESS OTHERWISE SPECIFIED.



OWNERSHIP

COPYRIGHT ©2017 THE ABOVE DRAWINGS, SPECIFICATIONS, IDEAS, DESIGNS, AND ARRANGEMENTS ARE AND SHALL REMAIN THE PROPERTY OF SOLAR ELECTRIC SUPPLY AND NO PART THEREOF SHALL BE COPIED, DISCLOSED TO OTHERS, OR USED IN CONNECTION WITH ANY WORK OR PROJECT OTHER THAN THE SPECIFIED PROJECT FOR WHICH THEY HAVE BEEN PREPARED AND DEVELOPED WITHOUT THE WRITTEN CONSENT OF SOLAR ELECTRIC SUPPLY. VISUAL CONTACT WITH THESE PLANS OR SPECIFICATIONS SHALL CONSTITUTE CONCLUSIVE EVIDENCE OF ACCEPTANCE OF THESE RESTRICTIONS.

WIRING DIAGRAM		MAPPS 760-530-24	
UNITS		UNITS	
UNLESS OTHERWISE SPECIFIED: PRIMARY UNITS ARE: INCHES SECONDARY UNITS ARE: [mm]			
REVISIONS			
REV	REVISED BY	DATE	
MISC			
APPROVALS		NAME	DATE
		DRAWN E. RIVAS	26.SEP.17
		APPROVED S. GLIDDEN	26.SEP.17
SCALE	DRAWING NUMBER	SIZE	
N/A	SD41-0195-SES		
	B.O.M. NUMBER		
	SB41-0195-SES		
SHEET 1 OF 4		A	



OWNERSHIP

COPYRIGHT ©2017 THE ABOVE DRAWINGS, SPECIFICATIONS, IDEAS, DESIGNS, AND ARRANGEMENTS ARE AND SHALL REMAIN THE PROPERTY OF SOLAR ELECTRIC SUPPLY AND NO PART THEREOF SHALL BE COPIED, DISCLOSED TO OTHERS, OR USED IN CONNECTION WITH ANY WORK OR PROJECT OTHER THAN THE SPECIFIED PROJECT FOR WHICH THEY HAVE BEEN PREPARED AND DEVELOPED WITHOUT THE WRITTEN CONSENT OF SOLAR ELECTRIC SUPPLY. VISUAL CONTACT WITH THESE PLANS OR SPECIFICATIONS SHALL CONSTITUTE CONCLUSIVE EVIDENCE OF ACCEPTANCE OF THESE RESTRICTIONS.

SITE LAYOUT
MAPPS 760-530-24

UNITS
UNLESS OTHERWISE SPECIFIED:
PRIMARY UNITS ARE: INCHES
SECONDARY UNITS ARE: [mm]

REVISIONS
REV REVISED BY DATE

MISC

SCALE
N/A

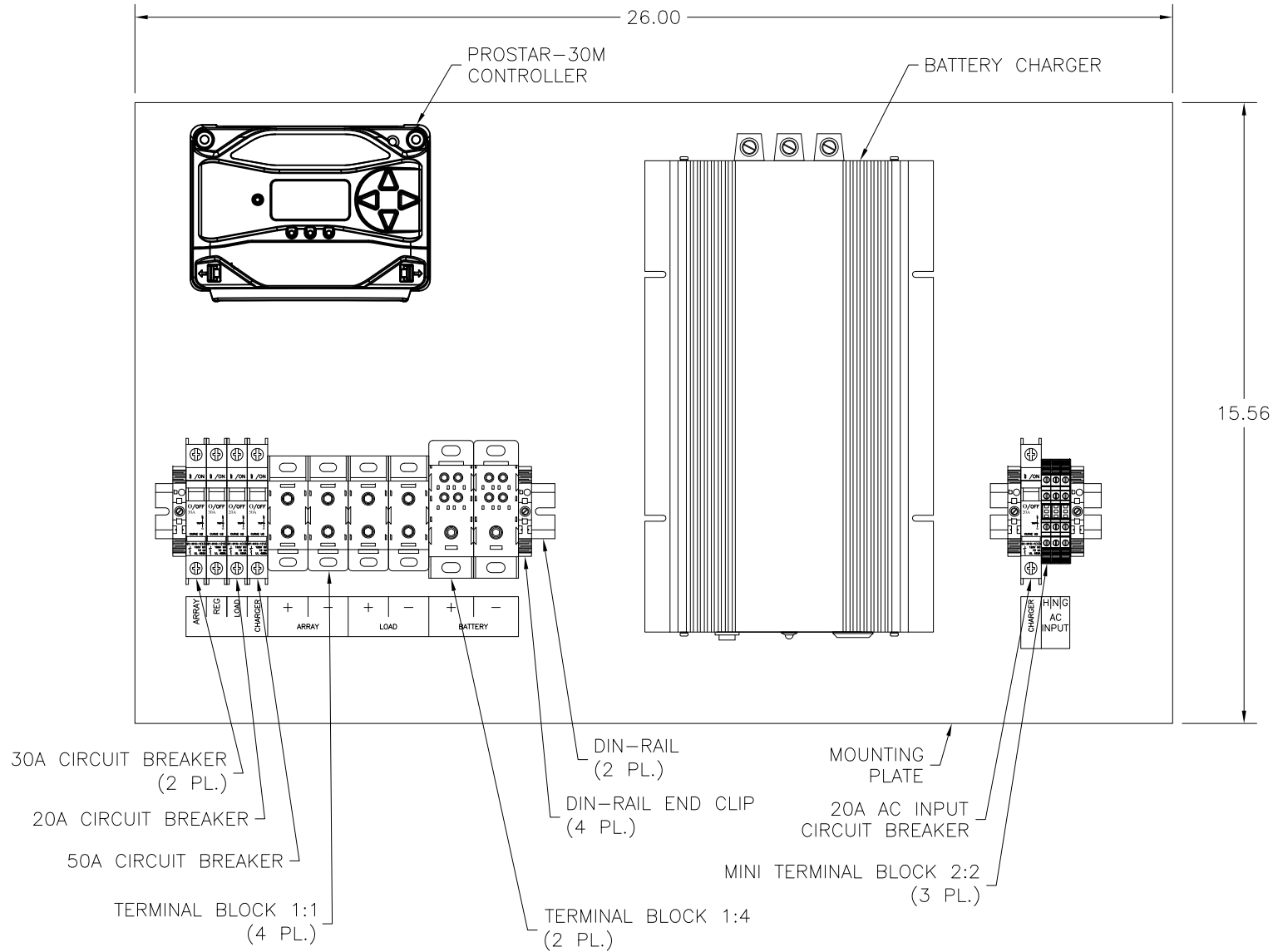
DRAWING NUMBER
SD41-0195-SES

B.O.M. NUMBER
SB41-0195-SES

SHEET 2 OF 4

APPROVALS NAME DATE
DRAWN E. RIVAS 26.SEP.17
APPROVED S. GLIDDEN 26.SEP.17

SIZE
A



OWNERSHIP

COPYRIGHT ©2017 THE ABOVE DRAWINGS, SPECIFICATIONS, IDEAS, DESIGNS, AND ARRANGEMENTS ARE AND SHALL REMAIN THE PROPERTY OF SOLAR ELECTRIC SUPPLY AND NO PART THEREOF SHALL BE COPIED, DISCLOSED TO OTHERS, OR USED IN CONNECTION WITH ANY WORK OR PROJECT OTHER THAN THE SPECIFIED PROJECT FOR WHICH THEY HAVE BEEN PREPARED AND DEVELOPED WITHOUT THE WRITTEN CONSENT OF SOLAR ELECTRIC SUPPLY. VISUAL CONTACT WITH THESE PLANS OR SPECIFICATIONS SHALL CONSTITUTE CONCLUSIVE EVIDENCE OF ACCEPTANCE OF THESE RESTRICTIONS.

COMPONENT LAYOUT

MAPP5 760-530-24

UNITS
UNLESS OTHERWISE SPECIFIED:
PRIMARY UNITS ARE: INCHES
SECONDARY UNITS ARE: [mm]

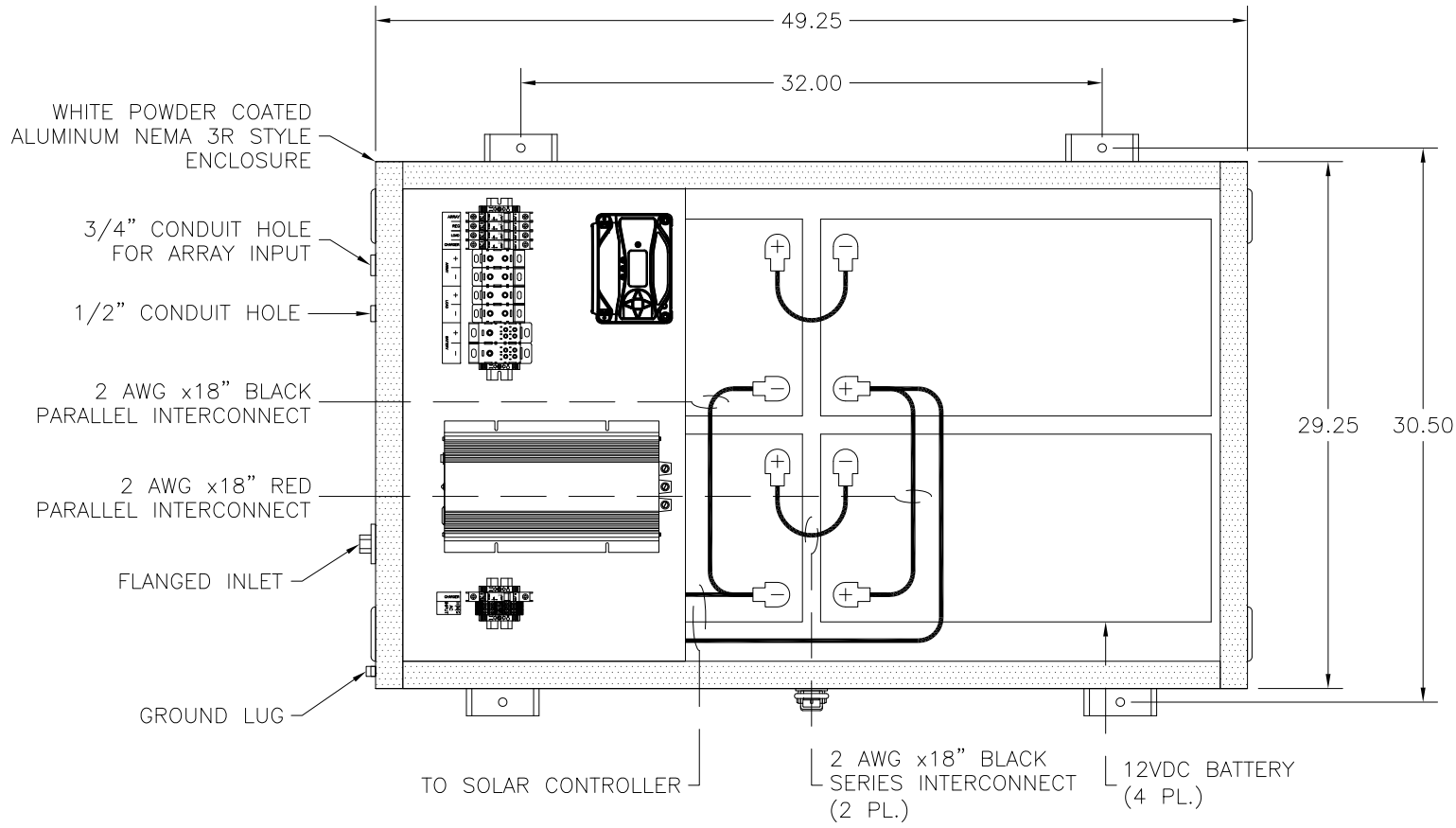
REVISIONS

REV	REVISED BY	DATE

MISC

SCALE	N/A	DRAWING NUMBER	SD41-0195-SES	SIZE	A
		B.O.M. NUMBER	SB41-0195-SES		
		SHEET	3	OF	4

APPROVALS	NAME	DATE
	DRAWN E. RIVAS	26.SEP.17
	APPROVED S. GLIDDEN	26.SEP.17



OWNERSHIP

COPYRIGHT ©2017 THE ABOVE DRAWINGS, SPECIFICATIONS, IDEAS, DESIGNS, AND ARRANGEMENTS ARE AND SHALL REMAIN THE PROPERTY OF SOLAR ELECTRIC SUPPLY AND NO PART THEREOF SHALL BE COPIED, DISCLOSED TO OTHERS, OR USED IN CONNECTION WITH ANY WORK OR PROJECT OTHER THAN THE SPECIFIED PROJECT FOR WHICH THEY HAVE BEEN PREPARED AND DEVELOPED WITHOUT THE WRITTEN CONSENT OF SOLAR ELECTRIC SUPPLY. VISUAL CONTACT WITH THESE PLANS OR SPECIFICATIONS SHALL CONSTITUTE CONCLUSIVE EVIDENCE OF ACCEPTANCE OF THESE RESTRICTIONS.

BATTERY LAYOUT

MAPPS 760-530-24

UNITS
UNLESS OTHERWISE SPECIFIED:
PRIMARY UNITS ARE: INCHES
SECONDARY UNITS ARE: [mm]

REVISIONS

REV	REVISED BY	DATE

MISC

SCALE N/A	DRAWING NUMBER	SD41-0195-SES
	B.O.M. NUMBER	SB41-0195-SES
	SHEET	4 OF 4

APPROVALS	NAME	DATE
	DRAWN E. RIVAS	26.SEP.17
	APPROVED S. GLIDDEN	26.SEP.17

SIZE
A