

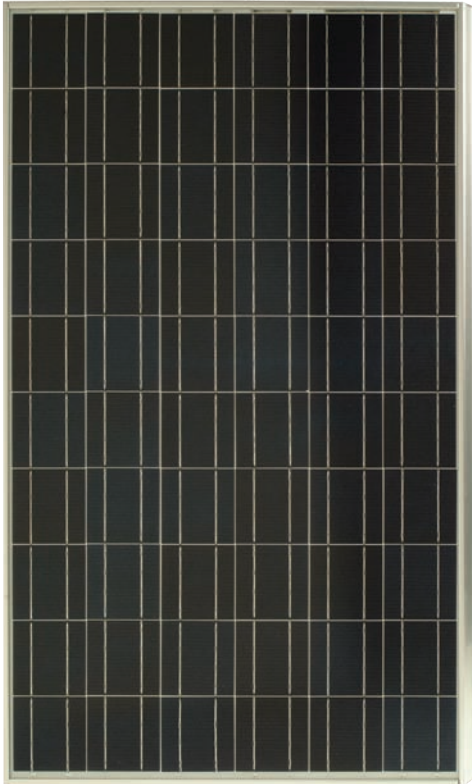


solar electricity

230 WATT

MULTI-PURPOSE MODULE

NEC 2008 Compliant



ND-230UCJ

MULTI-PURPOSE 230 WATT
MODULE FROM THE WORLD'S
TRUSTED SOURCE FOR SOLAR.

Using breakthrough technology, made possible by nearly 50 years of proprietary research and development, Sharp's ND-230UCJ solar module incorporates an advanced surface texturing process to increase light absorption and improve efficiency. Common applications include commercial and residential grid-tied roof systems as well as ground mounted arrays. Designed to withstand rigorous operating conditions, this module offers high power output per square foot of solar array.

Business leaders install this module in large commercial applications, demonstrating financial astuteness and environmental stewardship.

ENGINEERING EXCELLENCE

High module efficiency for an outstanding balance of size and weight to power and performance.

DURABLE

Tempered glass, EVA lamination and weatherproof backskin provide long-life and enhanced cell performance.

RELIABLE

25-year limited warranty on power output.

HIGH PERFORMANCE

This module uses an advanced surface texturing process to increase light absorption and improve efficiency.



Sharp multi-purpose modules offer industry-leading performance for a variety of applications.



Improved Frame Technology

SHARP: THE NAME TO TRUST

When you choose Sharp, you get more than well-engineered products. You also get Sharp's proven reliability, outstanding customer service and the assurance of our 25-year limited warranty on power output. A global leader in solar electricity, Sharp powers more homes and businesses than any other solar manufacturer worldwide.

BECOME POWERFUL

230 WATT

ND-230UCJ

NEC 2008 Compliant

Module output cables: 12 AWG PV Wire

ELECTRICAL CHARACTERISTICS

| | |
|--------------------------------|-------------------------|
| Maximum Power (Pmax)* | 230 W |
| Tolerance of Pmax | +10%/-5% |
| Type of Cell | Polycrystalline silicon |
| Cell Configuration | 60 in series |
| Open Circuit Voltage (Voc) | 36.9 V |
| Maximum Power Voltage (Vpm) | 29.3 V |
| Short Circuit Current (Isc) | 8.45 A |
| Maximum Power Current (Ipm) | 7.85 A |
| Module Efficiency (%) | 14.1% |
| Maximum System (DC) Voltage | 600 V |
| Series Fuse Rating | 15 A |
| NOCT | 47.5°C |
| Temperature Coefficient (Pmax) | -0.485%/°C |
| Temperature Coefficient (Voc) | -0.36%/°C |
| Temperature Coefficient (Isc) | 0.053%/°C |

*Illumination of 1 kW/m² (1 sun) at spectral distribution of AM 1.5 (ASTM E892 global spectral irradiance) at a cell temperature of 25°C.

MECHANICAL CHARACTERISTICS

| | |
|------------------------------|---|
| Dimensions (A x B x C below) | 39.1" x 64.6" x 1.8"/994 x 1640 x 46 mm |
| Cable Length (G) | 43.3"/1100 mm |
| Output Interconnect Cable** | 12 AWG with MC4 Locking Connector |
| Weight | 41.9 lbs / 19.0 kg |
| Max Load | 50 psf (2400 Pascals) |

**A safety lock clip (Multi Contact part number PV-SSH4) may be required in readily accessible locations per NEC 2008 690.33 (C)

**PV Wire per UL Subject 4703

QUALIFICATIONS

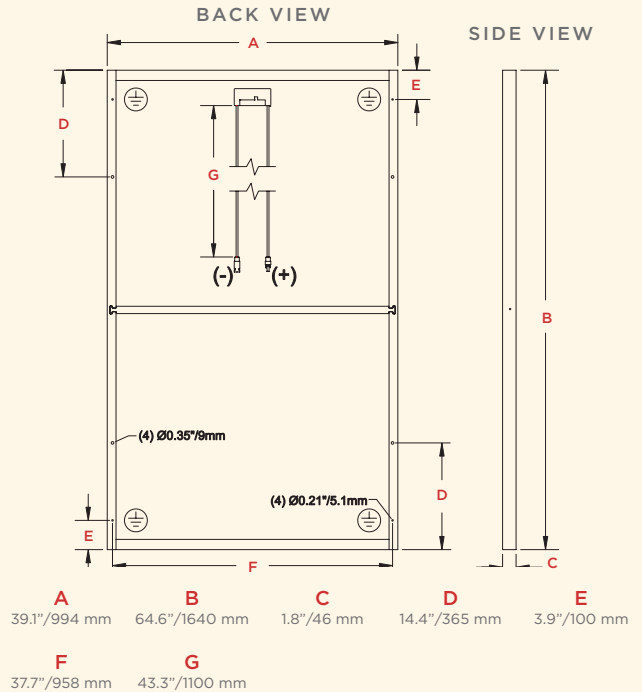
| | |
|-------------|---------|
| UL Listed | UL 1703 |
| Fire Rating | Class C |



WARRANTY

25-year limited warranty on power output
Contact Sharp for complete warranty information

DIMENSIONS



Contact Sharp for tolerance specifications

"BUY AMERICAN"

Sharp solar modules are manufactured in the United States and Japan, and qualify as "American" goods under the "Buy American" clause of the American Recovery and Reinvestment Act (ARRA).



SHARP®

SHARP ELECTRONICS CORPORATION
5901 Bolsa Avenue, Huntington Beach, CA 92647
1-800-SOLAR-06 • Email: sharpsolar@sharpusa.com
www.sharpusa.com/solar