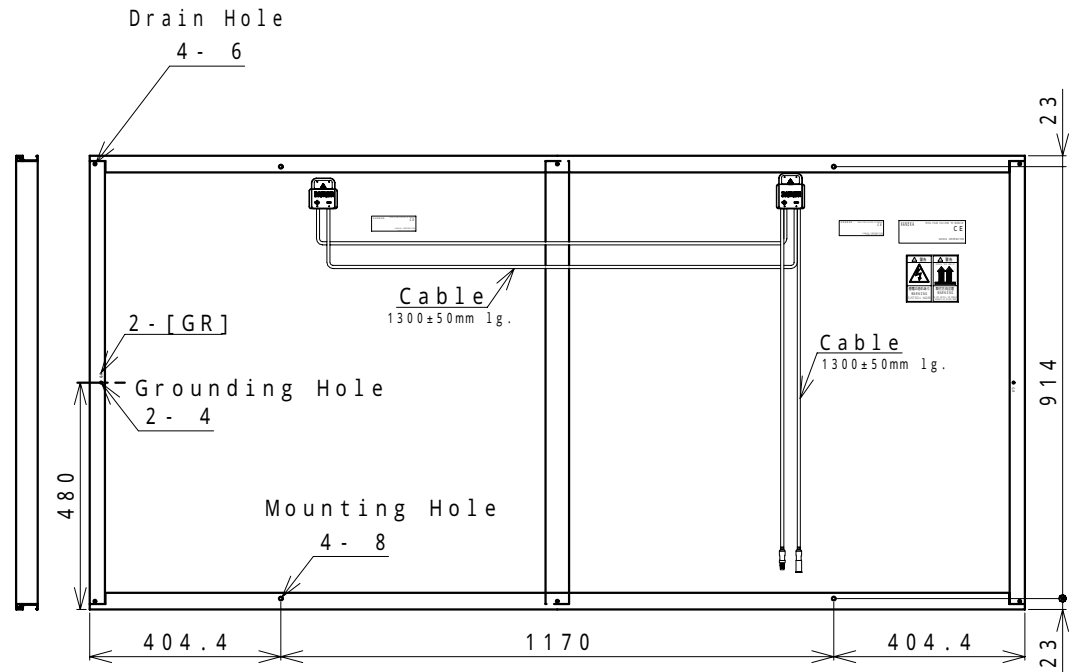


Front View



Back View

Weight: 27.0KG/pcs.

		3RD ANGLE PROJECTION		SCALE	UNITS	USER
		DATE 29 May., 2003		1:16	mm	
		APR.	CHE.		DNW.	TED Module
1	05.03.24	+ LABEL			NAKAJIMA	DS-TED
SYM	DATE	REVISIONS	SIGN			